

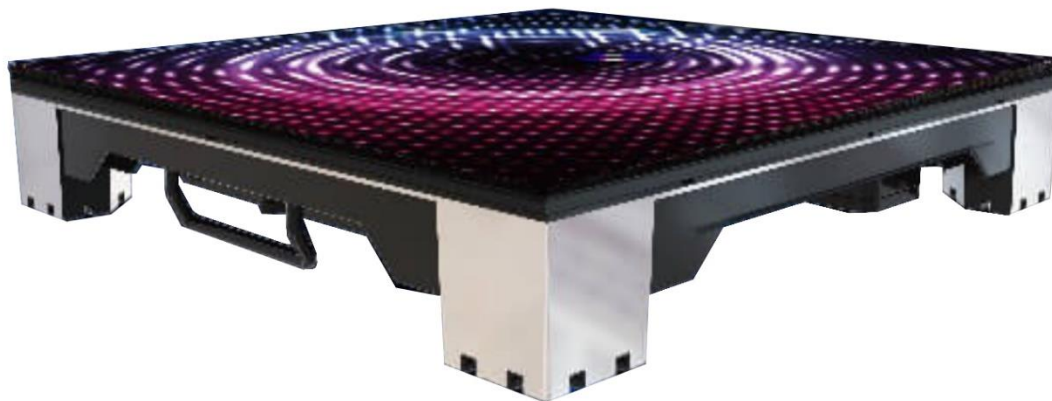
Fi+ series Floor Led Display



# Fi+ series



- Interactive effect
- Multi-point touch
- Adjustable in height
- Super strong load-bearing performance
- Wide viewing angle
- Highly stable
- Easy to service



	Fi+ 3.9	Fi+ 2.6
Pixel pitch	3,91 mm	2,604 mm
LED Type	SMD1415(High frame)	
Pixel Density	65536 pixel/mq	147456 pixel/mq
Brightness	800nits-1200nits	
Panel Resolution	128*128 pixel	192*192 pixel
Panel size(W×H×D)	500mm*500mm*117mm (19.7"*19.7"*4.6")	
Color Temperature	6500-9500K	
Panel Weight	11.3kg (24.91lb) ±10%	
Cabinet Material	Cabinet: Die-casting aluminium Mask: PC	
Max Power Consumption	≤620w/mq	
Ave Power Consumption	≤310w/mq	
Viewing Angle	(H)160° (V)160°	
Refresh Rate	7680Hz	
Gray Scale	14-16 bit	
IP Rating	IP30	
Life	50.000h	
Operating Temp/Humidity	-20°C~+45°C 10%-90%RH	
Storage Temp/Humidity	-40°C~+60°C 10%-60%RH	

## Fi+ series

Power Supply

Power Supply

Ensure stable performance even for long-time use, long lifespan.

Stable signal and power supply, ensure safe use.

Besides, with front and rear IP65 waterproof design, use requirements in different applications can be satisfied.



## Fi+ series



Wide angle for much better viewing experience. The big screen can be clearly seen from any angle on site. Every audience can enjoy the charm of modern technology.

No delay in interactive effect, enables Fi+ series to deliver strong visual impact, providing audience a truly amazing and unforgettable experience and greatly improving their engagement.



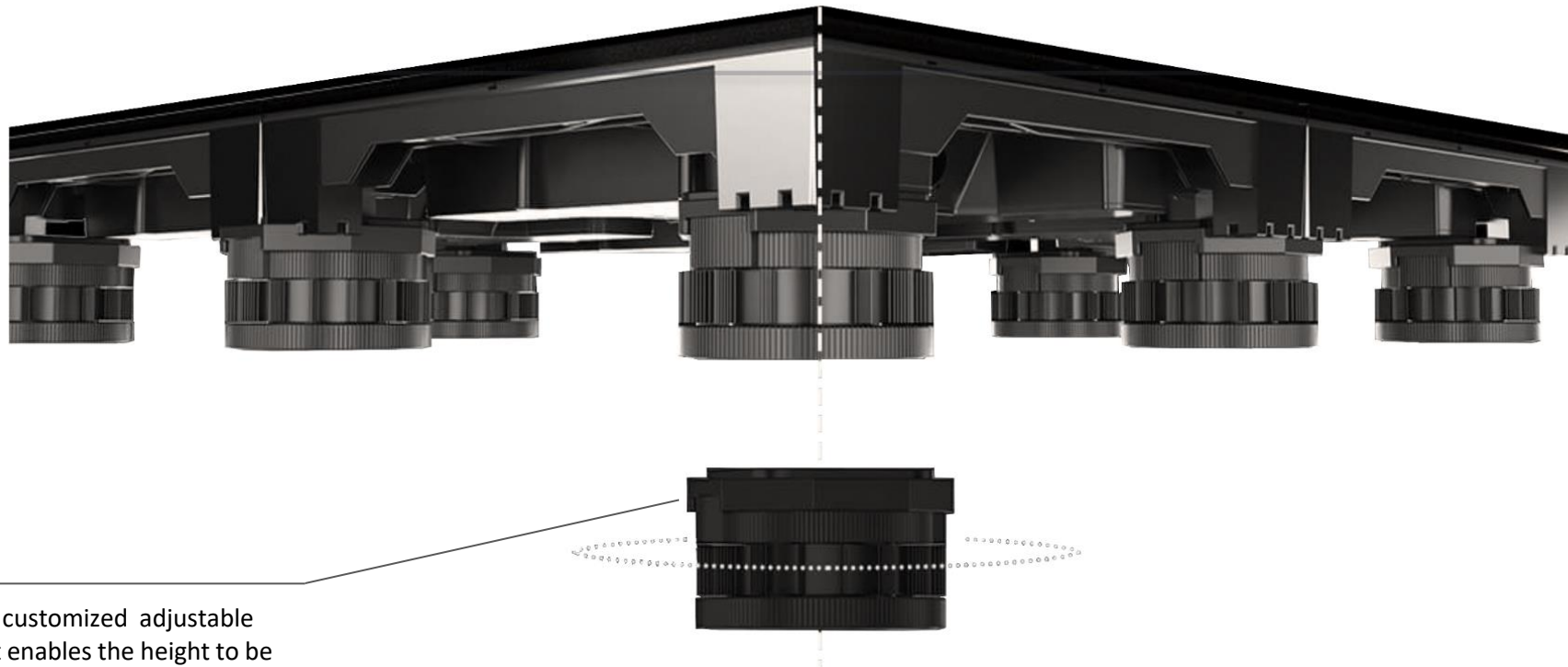
Featured with point-to-face contact and support technology, its load capacity is over 2.000Kg/mq, so bearing the weight of a car is not a big deal for Fi+ series

## Fi+ series

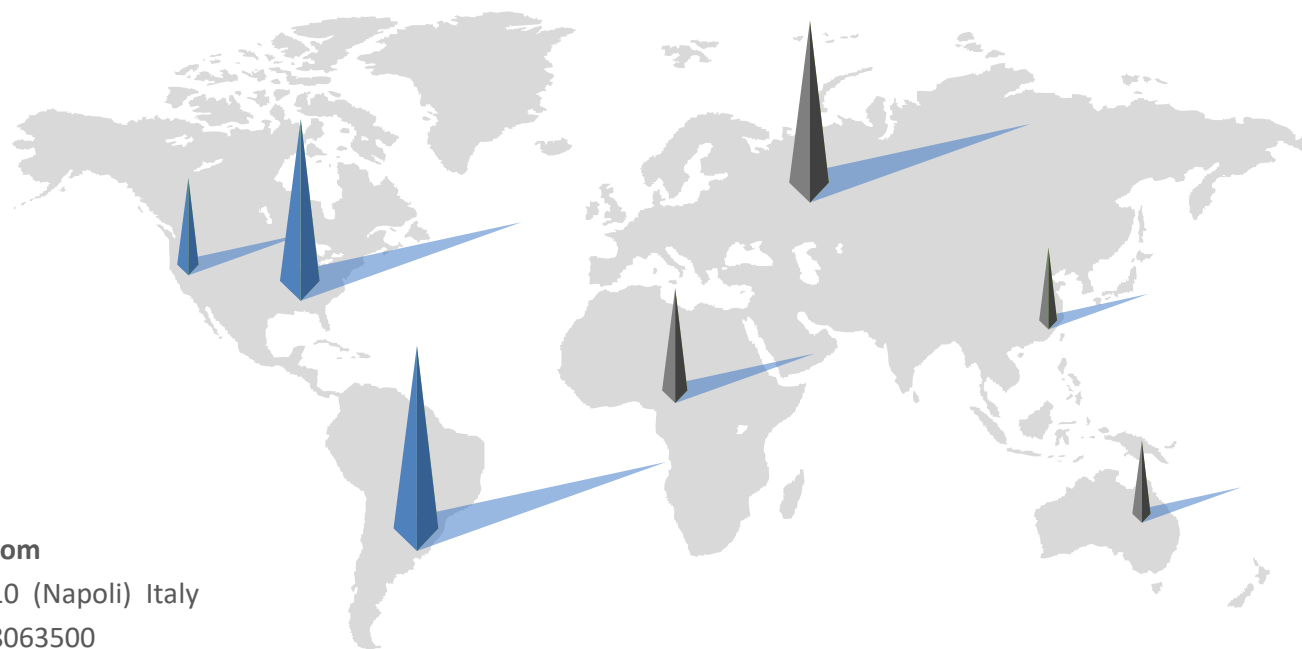
With the magnetically fixed module design, which greatly decreases service time and improves work efficiency, module can be easily replaced within 3 second.



## Fi+ series



The customized adjustable foot enables the height to be adjusted from 72mm to 91mm, more flexible.



### Head office

E-mail : [info@unitechdigitalmedia.com](mailto:info@unitechdigitalmedia.com)

Add : Corso Italia 431A, Quarto 80010 (Napoli) Italy

Tel : +39 - 335-8010444 | +39 - 081-8063500

WEB: <https://unitechdigitalmedia.it>

<https://www.unitech.lighting>